



3 V, SUPER MINIMOLD SI MMIC DOWNCONVERTER

UPC2757TB UPC2758TB

FEATURES

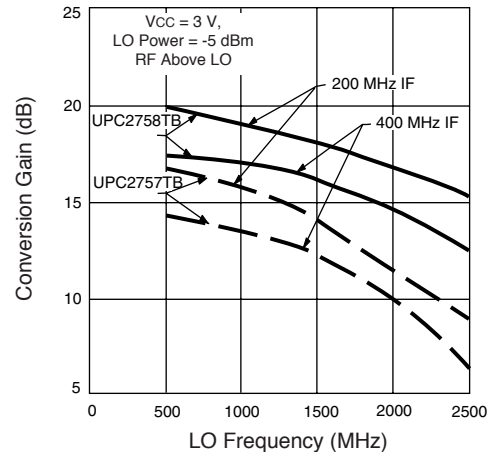
- **HIGH-DENSITY SURFACE MOUNTING:**
6 pin super minimold or SOT-363 package
- **WIDEBAND OPERATION:**
RF = 0.1 GHz to 2.0 GHz
IF = 20 MHz to 300 MHz
- **BUILT-IN POWER SAVE FUNCTION**
- **SUPPLY VOLTAGE:** $V_{CC} = 2.7$ TO 3.3 V

DESCRIPTION

NEC's UPC2757TB and UPC2758TB are silicon RFICs manufactured using the NESAT™ III process. The devices consist of a mixer, an IF amplifier and an LO buffer amplifier. These devices are suitable as 1st IF downconverters for the receiver stage of cellular and other wireless systems. The UPC2757TB is designed for low power consumption while the UPC2758TB is designed for low distortion. The UPC2757TB/58TB are pin compatible and have comparable performance to the larger UPC2757T/58T, so they are suitable for use as a replacement to help reduce system size. The IC is housed in a 6 pin super minimold or SOT-363 package.

NEC's stringent quality assurance and test procedures ensure the highest reliability and performance.

CONVERSION GAIN vs. LO FREQUENCY



ELECTRICAL CHARACTERISTICS (TA = 25°C, VCC = VPS = 3.0 V, PLO = -10 dBm)

PART NUMBER PACKAGE OUTLINE			UPC2757TB S06			UPC2758TB S06		
SYMBOLS	PARAMETERS AND CONDITIONS	UNITS	MIN	TYP	MAX	MIN	TYP	MAX
ICC	Circuit Current, VPS = 3 V VPS = 0.5 V	mA μA	3.7	5.6 0.1	7.7	6.6	11 0.1	14.8
fRF	RF Operating Frequency Range (The conversion gain at fRF is not more than 3 dB down from the gain at fRF = 800 MHz, fIF = 130 MHz)	GHz	0.1		2.0	0.1		2.0
fIF	IF Operating Frequency Range (The conversion gain at fIF is not more than 3 dB down from the gain at fRF = 800 MHz, fIF = 130 MHz)	MHz	20		300	20		300
CG	Conversion Gain ¹ , fRF = 800 MHz, fIF = 130 MHz fRF = 2.0 GHz, fIF = 250 MHz	dB dB	12 10	15 13	18 16	16 14	19 17	22 20
NF	Noise Figure, SSB fRF = 800 MHz, fIF = 130 MHz fRF = 2.0 GHz, fIF = 250 MHz	dB dB		10 13	13 16		9 13	12 15
PSAT	Saturated Output Power ² , fRF = 800 MHz, fIF = 100 MHz fRF = 2.0 GHz, fIF = 250 MHz	dBm dBm	-11 -11	-3 -8		-7 -7	+1 -4	
P1dB	Output Power at 1dB compression point fRF = 800 MHz fIF = 100 MHz	dBm		-8			-3.5	
OIP3	Output 3rd Order Intercept Point, (SSB) PLO = -10 dBm fRF = 0.8~2.0 GHz, fIF = 100 MHz	dBm		+5			+11	
ISOL	LO Leakage, fLO = 0.8 ~2.0 GHz	at RF pin dBm at IF pin dBm		-35 -23			-30 -15	
RTH (J-A)	Thermal Resistance (Junction to Ambient) Mounted on a 50 x 50 x 1.6 mm epoxy glass PWB	°C/W			325			325

Notes:

1. PRF = -40 dBm.
2. PRF = -10 dBm.

UPC2757TB, UPC2758TB

ABSOLUTE MAXIMUM RATINGS¹ (T_A = 25°C)

SYMBOLS	PARAMETERS	UNITS	RATINGS
V _{CC} , V _{PS}	Supply Voltage	V	5.5
P _T	Total Power Dissipation ²	mW	200
T _{OP}	Operating Temperature	°C	-40 to +85
T _{STG}	Storage Temperature	°C	-55 to +150

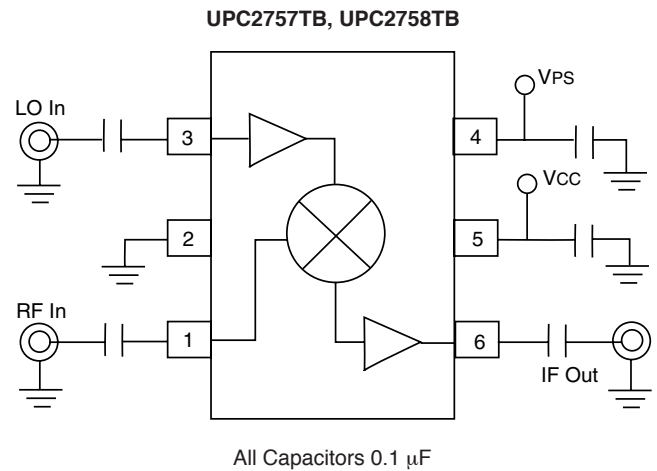
Notes:

1. Operation in excess of any one of these parameters may result in permanent damage.
2. Mounted on a 50 x 50 x 1.6 mm epoxy glass PWB (T_A = +85°C).

RECOMMENDED OPERATING CONDITIONS

SYMBOLS	PARAMETERS	UNITS	MIN	TYP	MAX
V _{CC}	Supply Voltage	V	2.7	3.0	3.3
T _{OP}	Operating Temperature	°C	-40	+25	+85
P _{LO}	LO Input Level	dBm	-15	-10	0

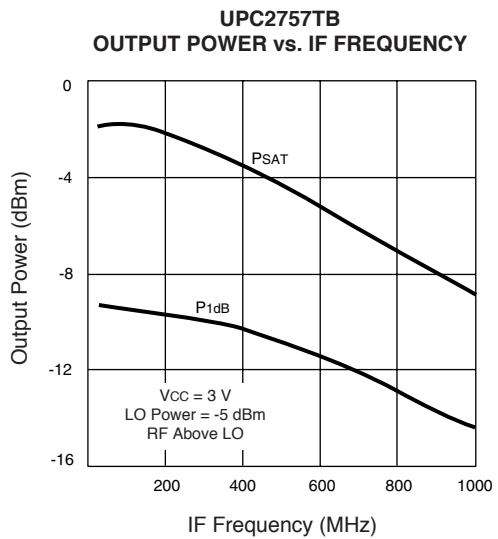
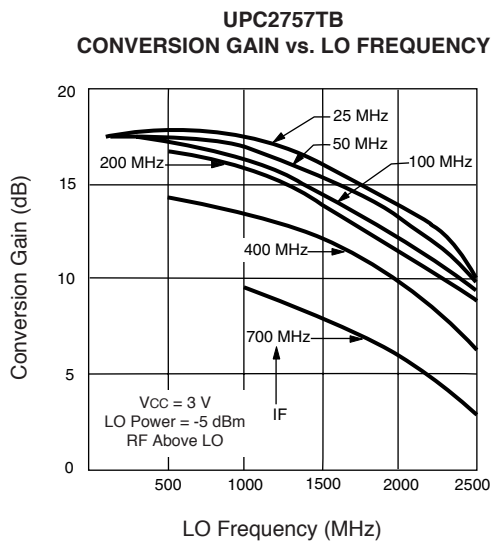
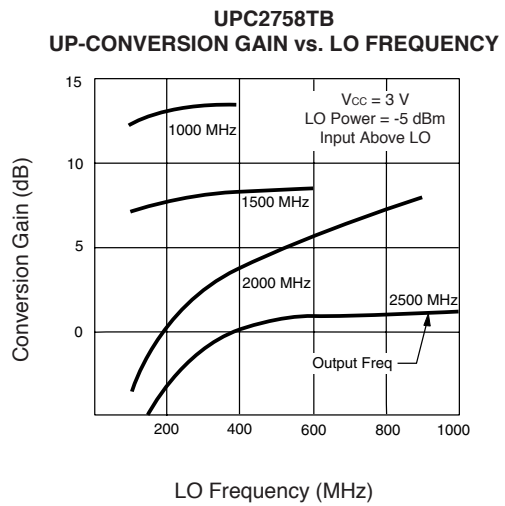
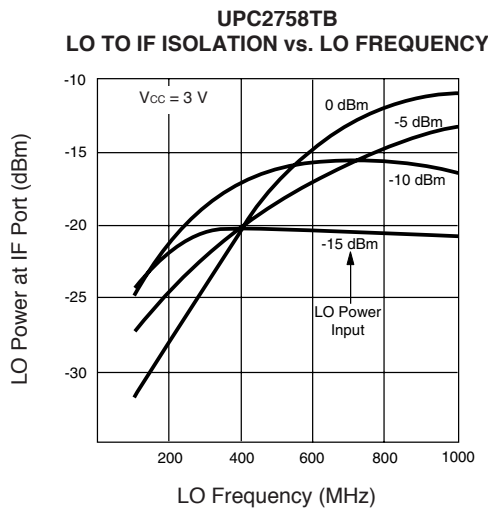
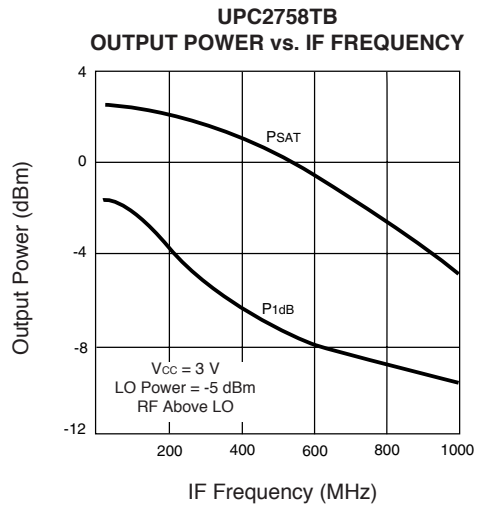
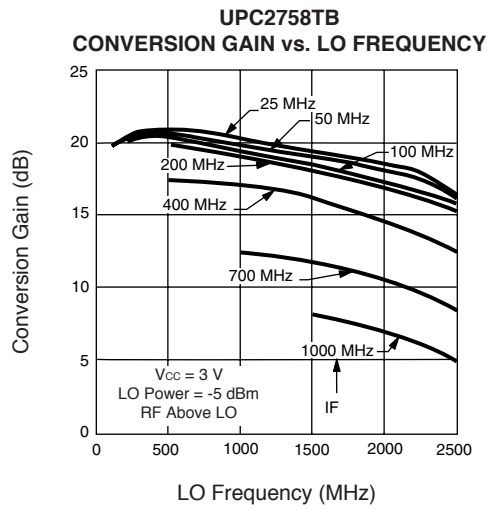
TEST CIRCUIT/BLOCK DIAGRAM



PIN DESCRIPTION

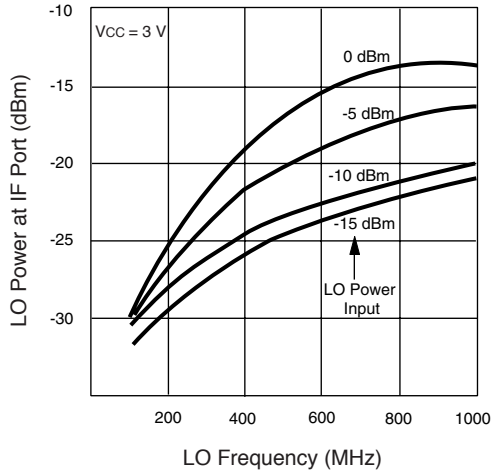
Pin No.	Pin Name	Applied Voltage (V)	Pin Voltage (V)	Description	Internal Equivalent Circuit						
1	RFIN	—	1.2	Signal input pin to double balanced mixer. This pin must be coupled to the signal source with a blocking capacitor.							
2	GND	0	—	Ground pin. This pin should be connected to system ground with minimum inductance. Ground pattern on the board should be formed as wide as possible.							
3	LOIN	—	1.3	LO input pin. The LO buffer is designed as a differential amplifier. Recommended input level is -15 to 0 dBm.							
4	VPS	VCC / GND	—	Power save control pin can control the On/Sleep state with bias as follows: <table border="1" style="margin: 10px auto;"> <thead> <tr> <th>V_{PS} (V)</th> <th>STATE</th> </tr> </thead> <tbody> <tr> <td>≥2.5</td> <td>ON</td> </tr> <tr> <td>0 to 0.5</td> <td>SLEEP</td> </tr> </tbody> </table> Rise time/fall time using this pin is approximately 10 μs.	V _{PS} (V)	STATE	≥2.5	ON	0 to 0.5	SLEEP	
V _{PS} (V)	STATE										
≥2.5	ON										
0 to 0.5	SLEEP										
5	VCC	2.7 to 3.3	—	Power supply pin. This pin should be externally equipped with a bypass capacitor to minimize ground impedance.							
6	IFOUT	—	1.7	Output of single-ended push-pull IF buffer amplifier. This is an emitter-follower output with low impedance. This pin must be coupled to the next stage with a blocking capacitor.							

TYPICAL PERFORMANCE CURVES (TA = 25°C)

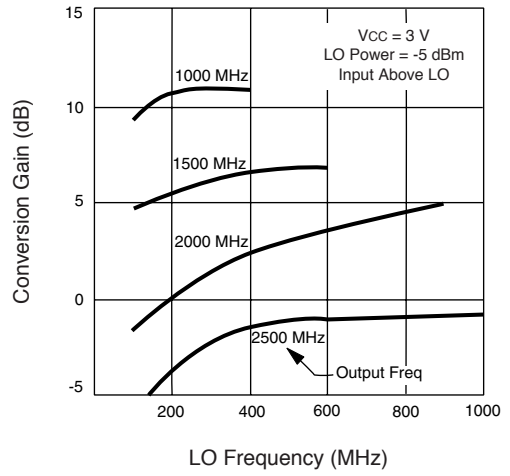


TYPICAL PERFORMANCE CURVES (T_A = 25°C)

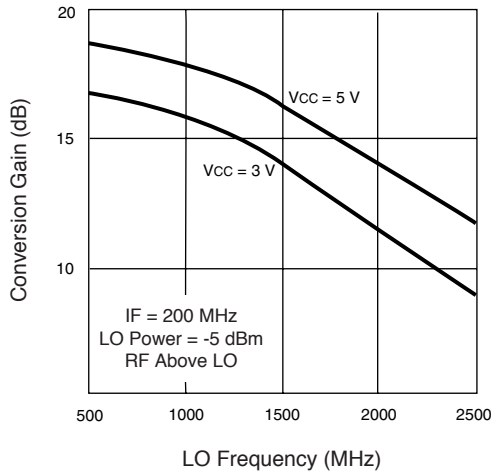
UPC2757TB
LO TO IF ISOLATION vs. LO FREQUENCY



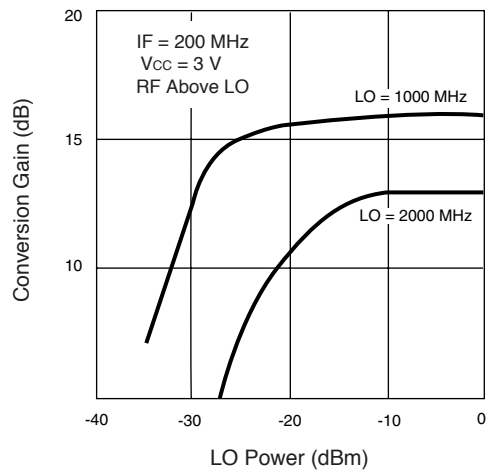
UPC2757TB
UP-CONVERSION GAIN vs. LO FREQUENCY



UPC2757TB
CONVERSION GAIN vs. LO FREQUENCY

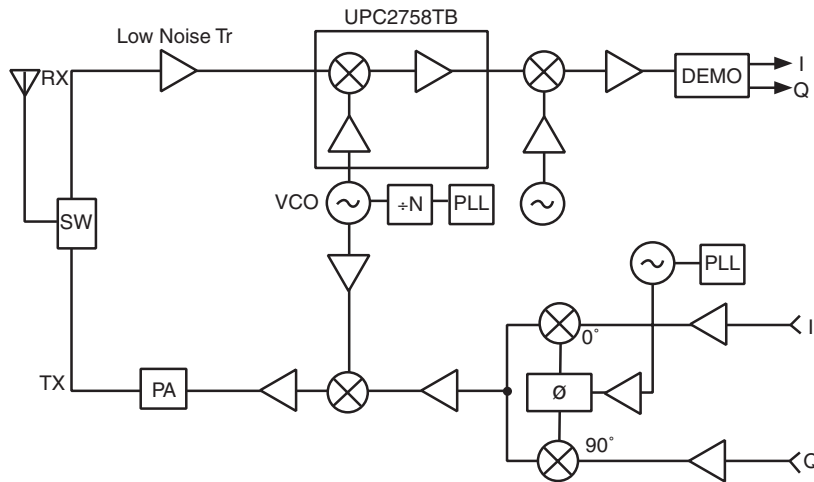


UPC2757TB
CONVERSION GAIN vs. LO POWER



APPLICATION EXAMPLE

Digital Cellular Telephone

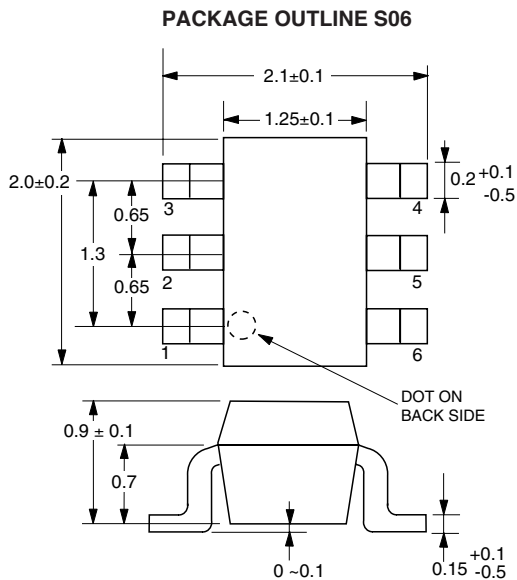


ORDERING INFORMATION

PART NUMBER	QTY
UPC2757TB-E3-A	3K/Reel
UPC2758TB-E3-A	3K/Reel

Note:
Embossed Tape, 8 mm wide,
Pins 1, 2, 3 are in tape pull-out direction.

OUTLINE DIMENSIONS

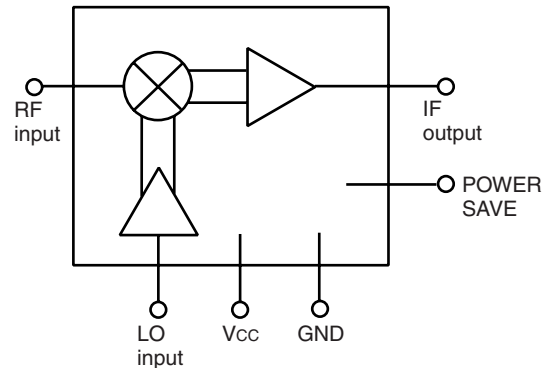


Note:
All dimensions are typical unless otherwise specified.

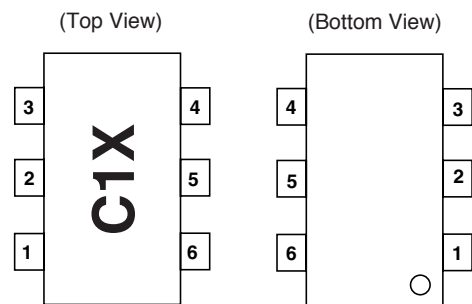
Life Support Applications

These NEC products are not intended for use in life support devices, appliances, or systems where the malfunction of these products can reasonably be expected to result in personal injury. The customers of CEL using or selling these products for use in such applications do so at their own risk and agree to fully indemnify CEL for all damages resulting from such improper use or sale.

INTERNAL BLOCK DIAGRAM



LEAD CONNECTIONS



1. RF INPUT
2. GND
3. LO INPUT
4. PS
5. Vcc
6. IF OUTPUT

Note:
Package Markings:
C1X: UPC2757TB
C1Y: UPC2758TB

EXCLUSIVE NORTH AMERICAN AGENT FOR NEC RF, MICROWAVE & OPTOELECTRONIC SEMICONDUCTORS

CEL CALIFORNIA EASTERN LABORATORIES • Headquarters • 4590 Patrick Henry Drive • Santa Clara, CA 95054-1817 • (408) 988-3500 • Telex 34-6393 • FAX (408) 988-0279
DATA SUBJECT TO CHANGE WITHOUT NOTICE

Internet: <http://WWW.CEL.COM>

10/24/2001

Subject: Compliance with EU Directives

CEL certifies, to its knowledge, that semiconductor and laser products detailed below are compliant with the requirements of European Union (EU) Directive 2002/95/EC Restriction on Use of Hazardous Substances in electrical and electronic equipment (RoHS) and the requirements of EU Directive 2003/11/EC Restriction on Penta and Octa BDE.

CEL Pb-free products have the same base part number with a suffix added. The suffix –A indicates that the device is Pb-free. The –AZ suffix is used to designate devices containing Pb which are exempted from the requirement of RoHS directive (*). In all cases the devices have Pb-free terminals. All devices with these suffixes meet the requirements of the RoHS directive.

This status is based on CEL’s understanding of the EU Directives and knowledge of the materials that go into its products as of the date of disclosure of this information.

Restricted Substance per RoHS	Concentration Limit per RoHS (values are not yet fixed)	Concentration contained in CEL devices	
		-A	-AZ
Lead (Pb)	< 1000 PPM	Not Detected	(*)
Mercury	< 1000 PPM	Not Detected	
Cadmium	< 100 PPM	Not Detected	
Hexavalent Chromium	< 1000 PPM	Not Detected	
PBB	< 1000 PPM	Not Detected	
PBDE	< 1000 PPM	Not Detected	

If you should have any additional questions regarding our devices and compliance to environmental standards, please do not hesitate to contact your local representative.

Important Information and Disclaimer: Information provided by CEL on its website or in other communications concerning the substance content of its products represents knowledge and belief as of the date that it is provided. CEL bases its knowledge and belief on information provided by third parties and makes no representation or warranty as to the accuracy of such information. Efforts are underway to better integrate information from third parties. CEL has taken and continues to take reasonable steps to provide representative and accurate information but may not have conducted destructive testing or chemical analysis on incoming materials and chemicals. CEL and CEL suppliers consider certain information to be proprietary, and thus CAS numbers and other limited information may not be available for release.

In no event shall CEL’s liability arising out of such information exceed the total purchase price of the CEL part(s) at issue sold by CEL to customer on an annual basis.

See CEL Terms and Conditions for additional clarification of warranties and liability.